

SAMSUNG PLC CONVERTER

PRODUCT DEFINITION

Samsung PLC Converter is gateway to convert Samsung NASA PLC protocol to Modbus RTU protocol. It allow almost Room Control Unit to completely control the Samsung VRF Aircon.



SPECCIFICATION

Dimension

- 88 x 55 x 44 mm
- Color Black / White
- Din-rail mounting

Power Supply

- 12VDC by F3 F4 port / External 12VDC

Protocol

- 01 Port (F3 F4) NASA VRF Protocol (Polarity sensitivity)
- 01 Port (A+ B-) Modbus RTU Protocol

AIRCON COMMAND & MONITOR

Monitor

- Room Temperature

Monitor & Command

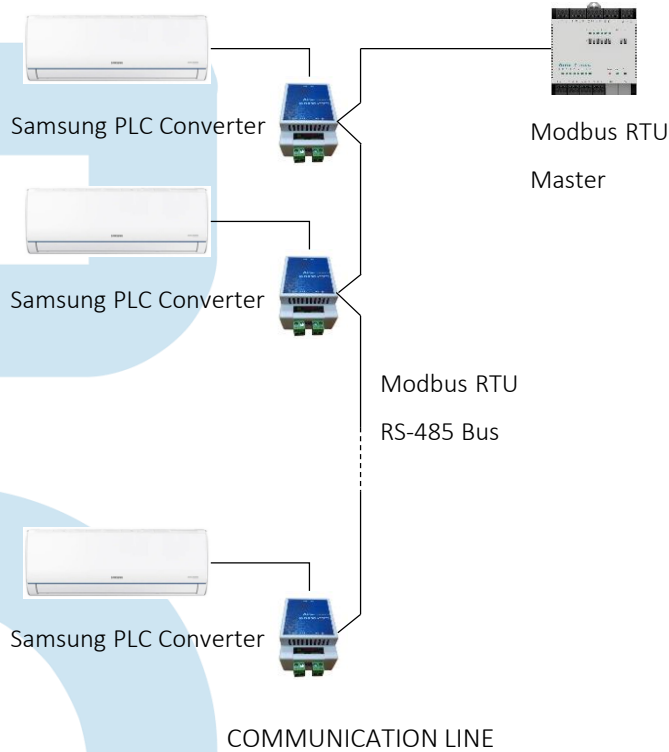
- On Off State
- Room Set Temperature
- Mode (Cool / Heat / Wind / Dry / Auto)
- Fan Speed (High / Medium / Low / Auto)
- Air Swing (Optional)

ORDERING INFORMATION

Part Number	Description
Samsung PLC Converter*	Modbus RTU gateway to communicate with Samsung Nasa F3 F4 protocol. * Part Number can be different for each Samsung project.

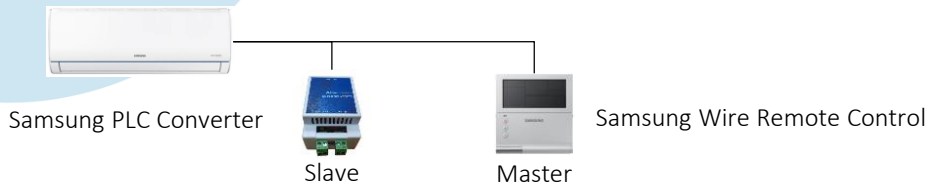
COMMUNICATION

Up to 30 PLC Converter can be installed in one RS485 line with baudrate 9600bps or 19200bps. Maximum distance for RS485 line is 1000m (@ 9600bps)



The Samsung PLC Converter connects directly to Samsung NASA bus (F3 F4) and can connect with following 2 methods:

- Slave Mode with a Samsung Wire Remote Control available.



- Master Mode without a Samsung Wire Remote Control available.

